

Clemons Centrifugal Sand Separator Automatic Purge Valve

Does the Dirty Work For You



2" Threaded Valve with Solenoid 110 Volt

**SOLIDS PURGING
AUTOMATICALLY.
RELIABLE. SIMPLE.
EFFECTIVE.**

Purging of separated solids is important. Separators may be purged Manually, but we recommend an Automatic System, so the user takes no risk of not purging the system often enough, therefore eliminating problems.

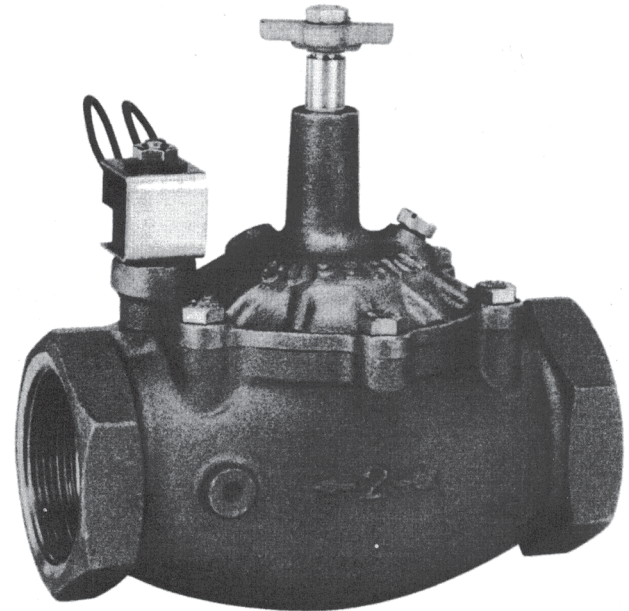
PROGRAMMING IS SIMPLE

Set button T1 to any valve opening time – 15 minutes to 12 hours. Set button T2 to any time between 1 and 90 seconds, to determine the length of time the valve is to be open – usually 20 to 25 seconds.

The automatic purge system minimizes liquid loss and concentrates solids for easy handling. Saves money, time, and labor. It eliminates the possibility of the Separator becoming "sand bound" which condition nullifies the effectiveness of the Separator. The valve construction is ideal for typical solids and many mild abrasives. The solid state plug-in controller can be placed in the normal pump control box. Other purge methods are available.

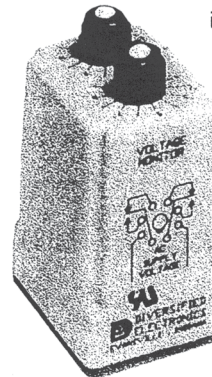
NOTE:

Connect clean water from discharge side of Separator, to the electric valve diaphragm connection.



FEATURES

- Solid brass construction.
- Water-proof solenoid coil, guaranteed for the life of the valve.
- Coil can be rotated 360° and easily removed without removing solenoid operator.
- Slow closing. No water hammer, surge or noise.
- Brass drain cock for manual operation.
- Pressure rating 200 psi.
- Cross handle flow control standard on 1" through 3" sizes, optional on 3/4" size.
- Diaphragm of one-piece molded construction with integral O-ring seal reinforced with 600 lb. test fabric.
- Stainless Steel insert seat in solenoid chamber.



Operation

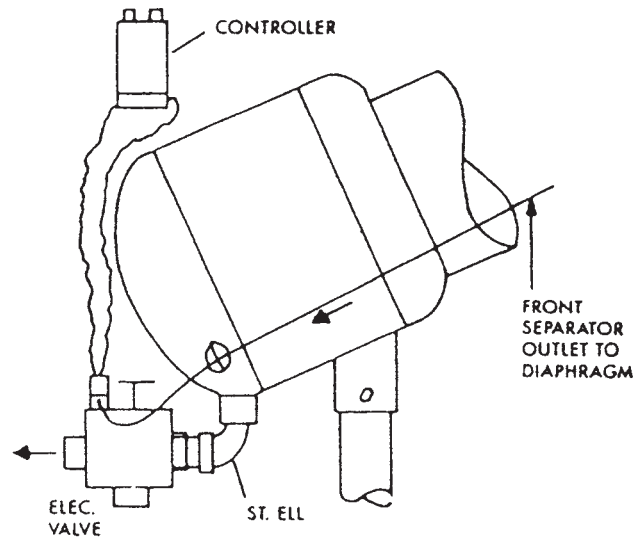
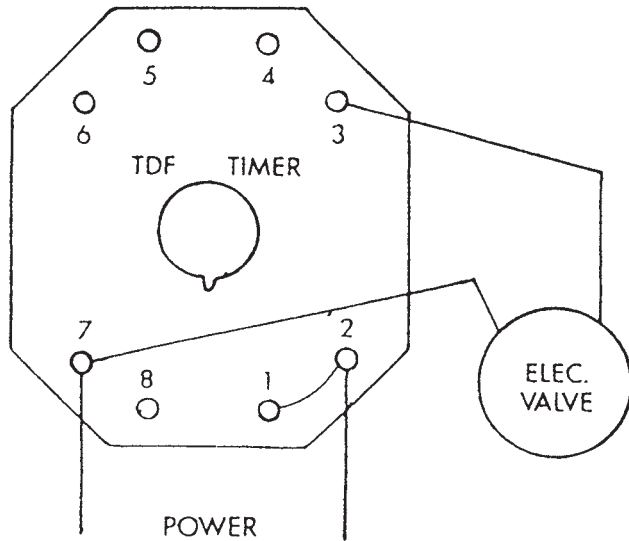
Application of voltage to the input of the timer initiates the OFF delay. Upon completion of the OFF delay, the relay energizes and the ON delay begins. Upon completion of the ON delay, the relay de-energizes and one cycle is completed. This OFF/ON cycling continues until voltage is removed from the input. The OFF/ON delay periods are independently adjustable.

Manufacturers and Distributors of Irrigation and Industrial Equipment
6983 Supply Way • Boise, Idaho 83716
(208) 345-2525 / Idaho 1-800-632-5103 / Other States 1-800-635-5975

WIRING - See Back Side

<u>Controller Model</u>	<u>Adjustable Operation Frequency Dial T1</u>	<u>Adjustable Valve-open Time Dial T2</u>	<u>1 Phase Voltage</u>
TDF 24 ALA 12H/100S	¼ to 12 hrs.	1 - 90 Sec.	24
TFDF 120 ALA 12H/100S	Same	Same	120
TDF 24 or 120 ALA 100	Same	Same	24 or 120

CONTROLLER BASE WIRING – TDF Models for 1 CONTROLLER AND 1 OR MORE VALVES



CONTROLLER BASE WIRING – for SEQUENCING BLOWING OR DUAL SEPARATORS

